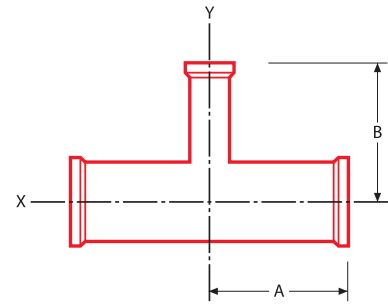


DT 19

Hygienic Clamp Joint:
Reducing Tee

Nominal Size		Order Code		A		B	
inch	mm	SFF1	SFF4	inch	mm	inch	mm
3/8 x 1/4	9,53 x 6,35	19 b-a 1	19 b-a 4	2.250	57,20	2.250	57,20
1/2 x 1/4	12,70 x 6,35	19 c-a 1	19 c-a 4	2.375	60,30	2.375	60,30
x 3/8	x 9,53	19 c-b 1	19 c-b 4	2.375	60,30	2.375	60,30
3/4 x 1/4	19,05 x 6,35	19 d-a 1	19 d-a 4	2.500	63,50	2.500	63,50
x 3/8	x 9,53	19 d-b 1	19 d-b 4	2.500	63,50	2.500	63,50
x 1/2	x 12,70	19 d-c 1	19 d-c 4	2.500	63,50	2.500	63,50
1 x 1/4	25,40 x 6,35	19 e-a 1	19 e-a 4	2.625	66,70	2.625	66,70
x 3/8	x 9,53	19 e-b 1	19 e-b 4	2.625	66,70	2.625	66,70
x 1/2	x 12,70	19 e-c 1	19 e-c 4	2.625	66,70	2.625	66,70
x 3/4	x 19,05	19 e-d 1	19 e-d 4	2.625	66,70	2.625	66,70
1 1/2 x 1/2	38,10 x 12,70	19 f-c 1	19 f-c 4	2.875	73,00	2.875	73,00
x 3/4	x 19,05	19 f-d 1	19 f-d 4	2.875	73,00	2.875	73,00
x 1	x 25,40	19 f-e 1	19 f-e 4	2.875	73,00	2.875	73,00
2 x 1/2	50,80 x 12,70	19 g-c 1	19 g-c 4	3.375	85,70	3.125	79,40
x 3/4	x 19,05	19 g-d 1	19 g-d 4	3.375	85,70	3.125	79,40
x 1	x 25,40	19 g-e 1	19 g-e 4	3.375	85,70	3.125	79,40
x 1 1/2	x 38,10	19 g-f 1	19 g-f 4	3.375	85,70	3.125	79,40
2 1/2 x 1/2	63,50 x 12,70	19 h-c 1	19 h-c 4	3.625	92,10	3.375	85,70
x 3/4	x 19,05	19 h-d 1	19 h-d 4	3.625	92,10	3.375	85,70
x 1	x 25,40	19 h-e 1	19 h-e 4	3.625	92,10	3.375	85,70
x 1 1/2	x 38,10	19 h-f 1	19 h-f 4	3.625	92,10	3.375	85,70
x 2	x 50,80	19 h-g 1	19 h-g 4	3.625	92,10	3.375	85,70
3 x 1/2	76,20 x 12,70	19 i-c 1	19 i-c 4	3.875	98,40	3.625	92,10
x 3/4	x 19,05	19 i-d 1	19 i-d 4	3.875	98,40	3.625	92,10
x 1	x 25,40	19 i-e 1	19 i-e 4	3.875	98,40	3.625	92,10
x 1 1/2	x 38,10	19 i-f 1	19 i-f 4	3.875	98,40	3.625	92,10
x 2	x 50,80	19 i-g 1	19 i-g 4	3.875	98,40	3.625	92,10
x 2 1/2	x 63,50	19 i-h 1	19 i-h 4	3.875	98,40	3.625	92,10
4 x 1/2	101,60 x 12,70	19 j-c 1	19 j-c 4	4.750	120,70	4.125	104,80
x 3/4	x 19,05	19 j-d 1	19 j-d 4	4.750	120,70	4.125	104,80
x 1	x 25,40	19 j-e 1	19 j-e 4	4.750	120,70	4.125	104,80
x 1 1/2	x 38,10	19 j-f 1	19 j-f 4	4.750	120,70	4.125	104,80
x 2	x 50,80	19 j-g 1	19 j-g 4	4.750	120,70	4.375	111,10
x 2 1/2	x 63,50	19 j-h 1	19 j-h 4	4.750	120,70	4.375	111,10
x 3	x 76,20	19 j-i 1	19 j-i 4	4.750	120,70	4.375	111,10
6 x 3	152,40 x 76,20,	19 k-i 1	19 k-i 4	7.125	181,00	5.375	136,50
x 4	x 101,60	19 k-j 1	19 k-j 4	7.125	181,00	5.750	146,10